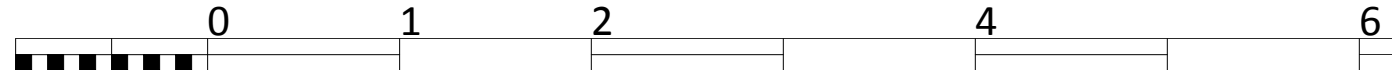
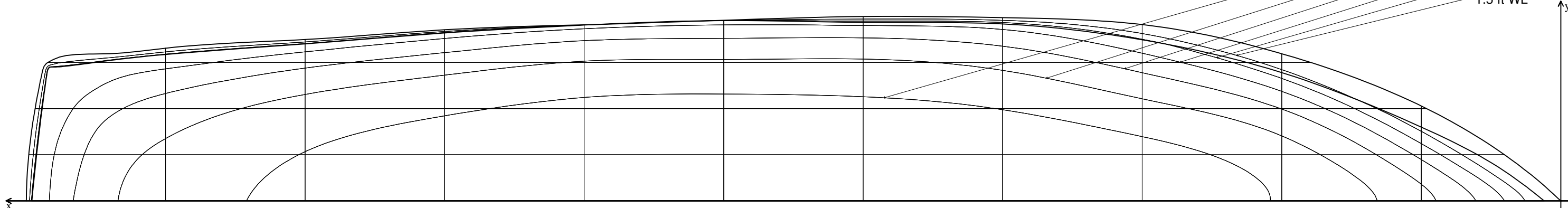


Scale of Feet



0.455 ft Btk
0.91 ft Btk
1.365 ft Btk

0.25 ft WL
0.5 ft WL
0.75 ft WL
1 ft WL
1.25 ft WL
1.5 ft WL

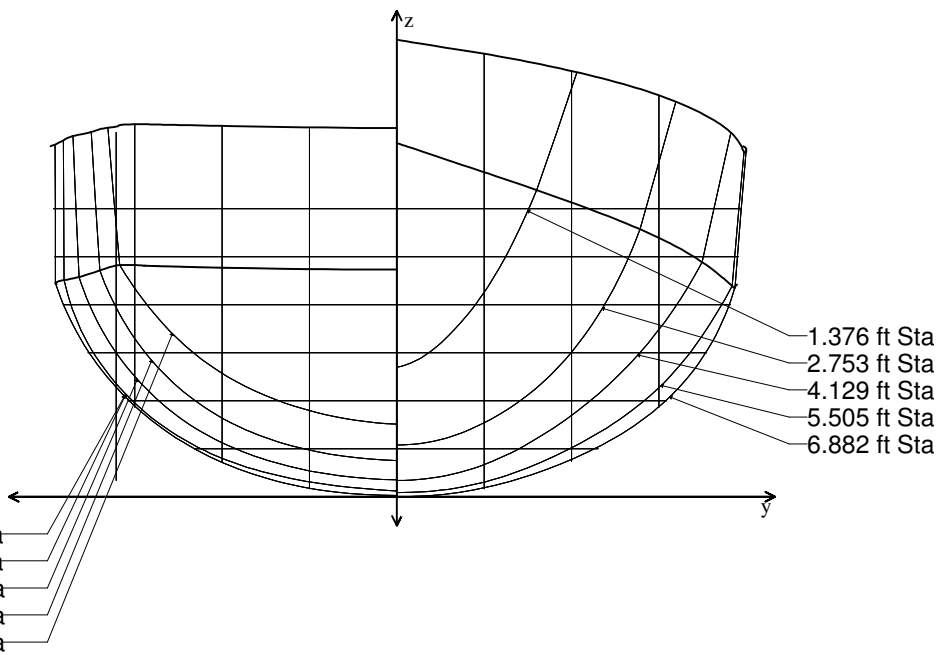


"Scattery Island Currach"

A traditional 2 hand currach from Scattery Island on the Shannon Estuary

NOTES

This lines plan was produced by 3D laser scanning the original boat



1.376 ft Sta
2.753 ft Sta
4.129 ft Sta
5.505 ft Sta
6.882 ft Sta

8.258 ft Sta
9.635 ft Sta
11.011 ft Sta
12.387 ft Sta
13.764 ft Sta

PRINCIPAL PARTICULARS

Length Overall.....	15.14 ft
Length L.W.L.....	12.80 ft
Beam.....	3.64 ft
Draught	0.57 ft
Depth	2.38 ft
Displacement.....	287.5 kg
Cp	0.648

Traditional Boats of Ireland Project

DRAWN P. Tanner
DRAWING NUMBER 1
MODEL UNITS feet

DATE 30/10/2010
SHEET 1 of 1 - A 1
SCALE 1 Inch to 1 foot