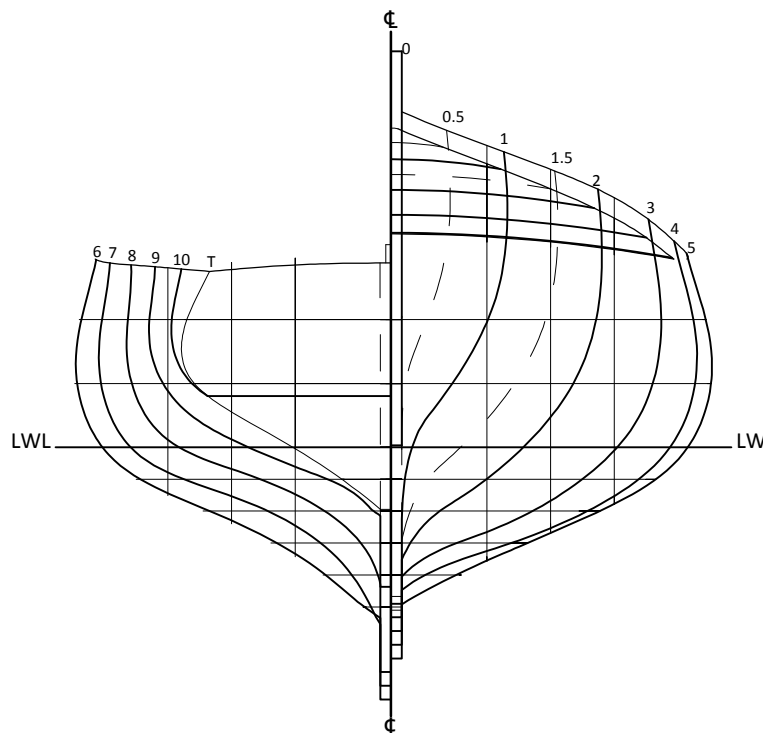
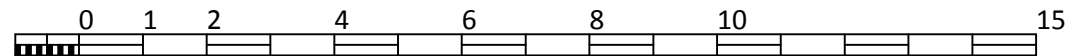


Scale of Feet



"Galway Hooker"

Typical Leath Bhaid
Builder: Various

NOTES

This lines plan was produced from existing measurements of a typical Leath Bhaid

PRINCIPAL PARTICULARS

Length Overall.....34.5 ft
 Length L.W.L.....30.25 ft
 Beam..... 10 ft
 Draught 4 ft
 Displacement.....6 tons
 Cp 0.548

DRAWN P. Tanner
 DRAWING NUMBER 1
 MODEL UNITS feet

DATE 10/03/2010
 SHEET 1 of 1 - A3
 SCALE -----